

FIG. 1
PRIOR ART

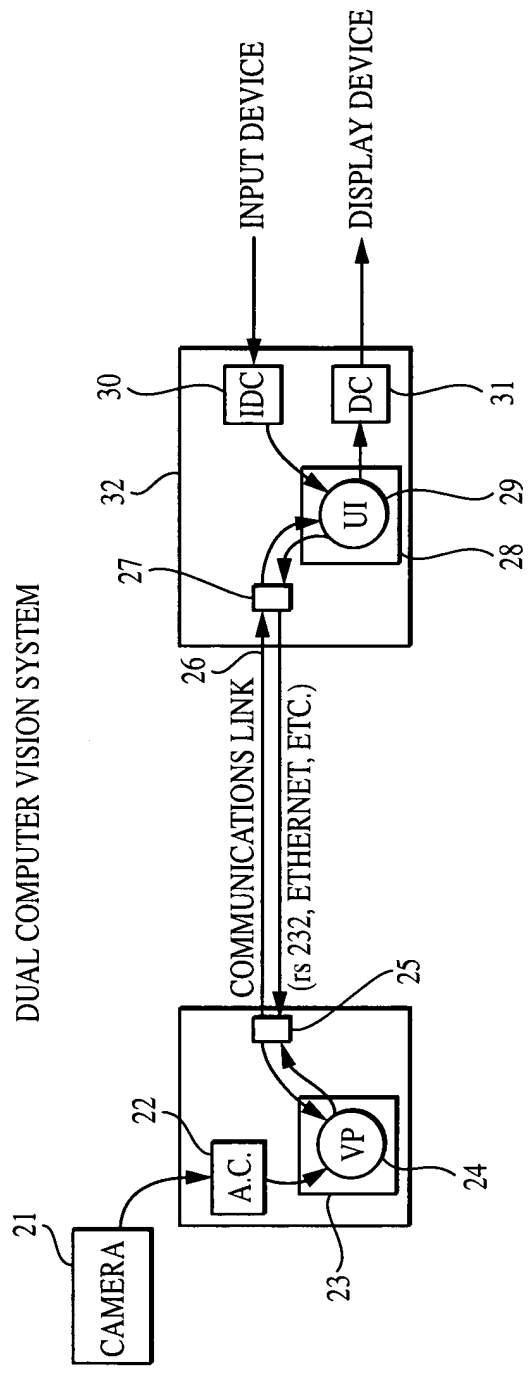


FIG. 2
PRIOR ART



UI CONNECTING TO MANY VP'S VIA A NETWORK

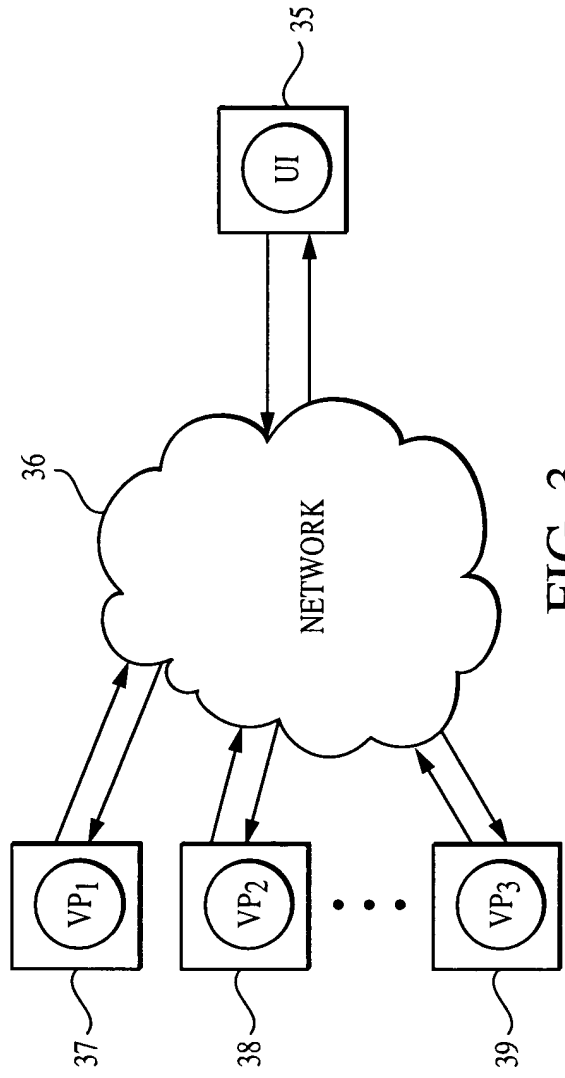


FIG. 3



CONNECTION, CONFIGURATION, AND MONITORING BY A DEVELOPER

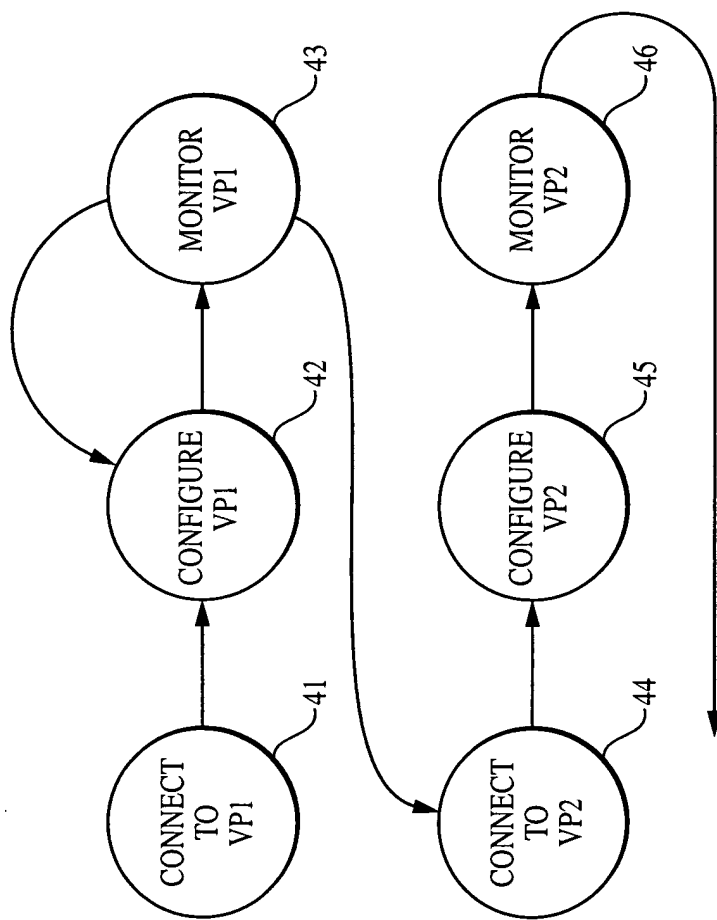


FIG. 4
PRIOR ART

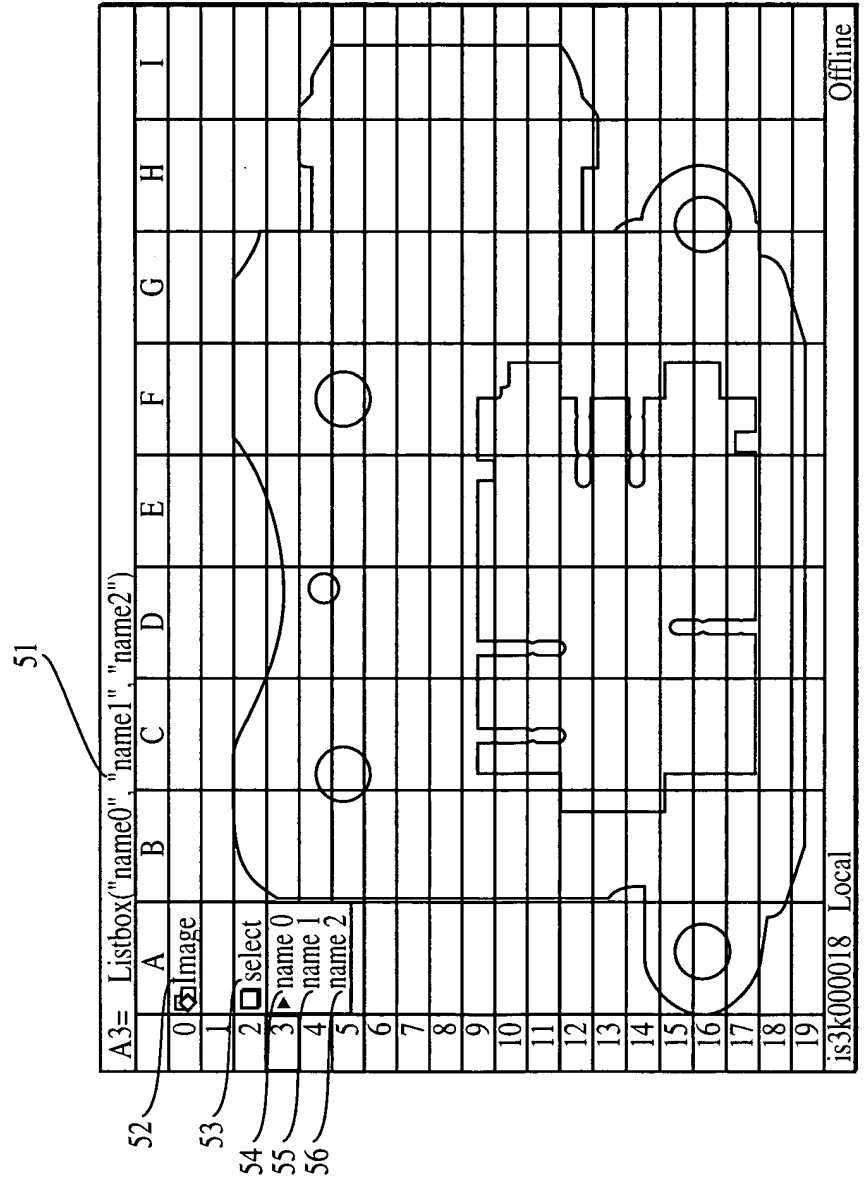


FIG. 5

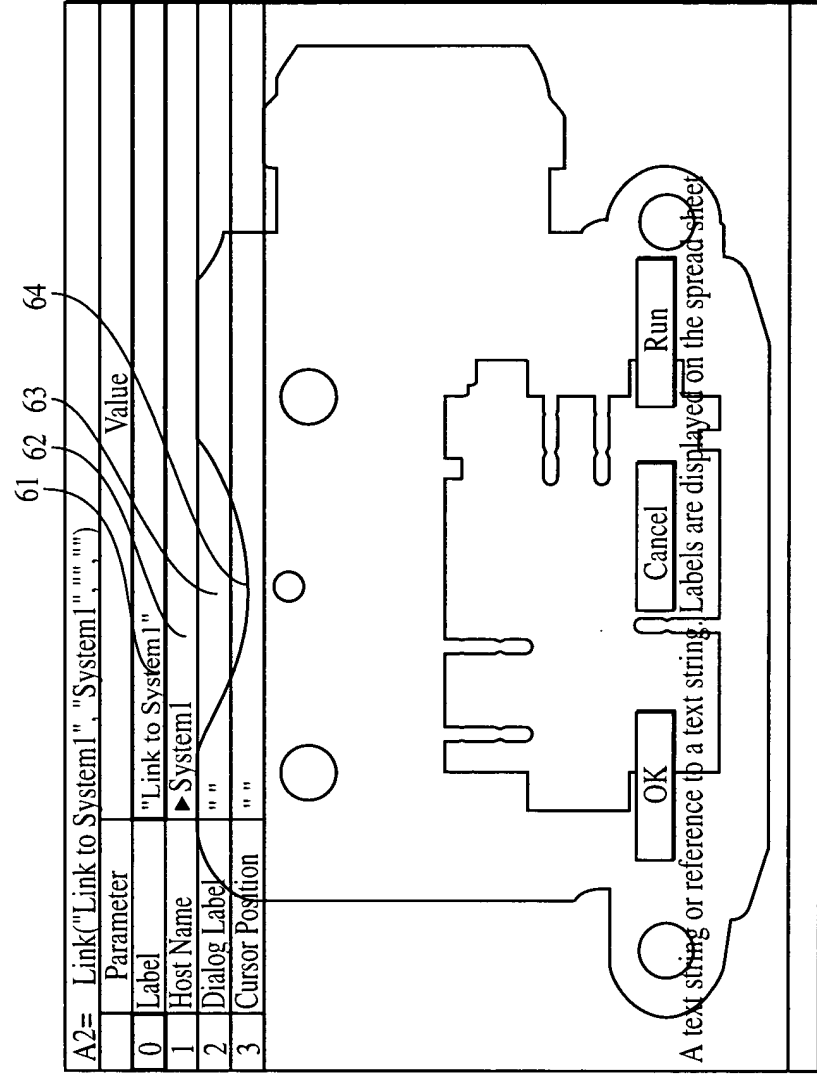


FIG. 6



71

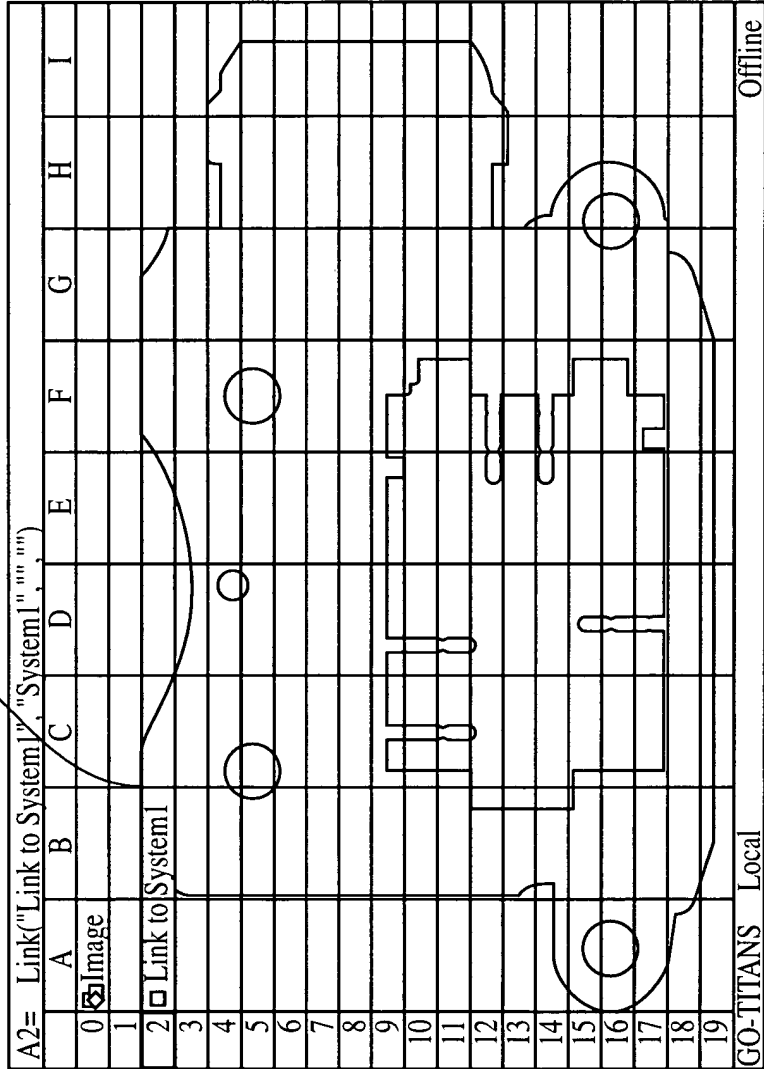


FIG. 7

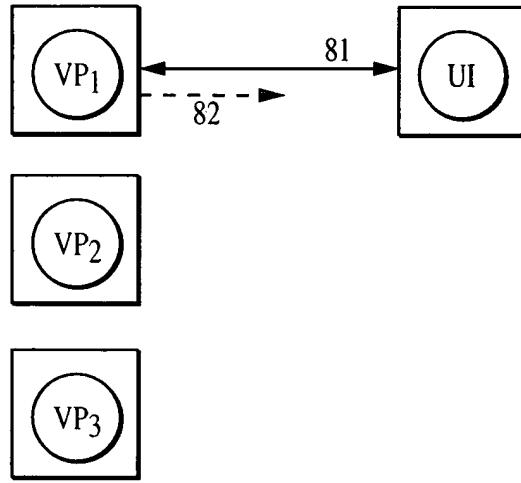


FIG. 8A

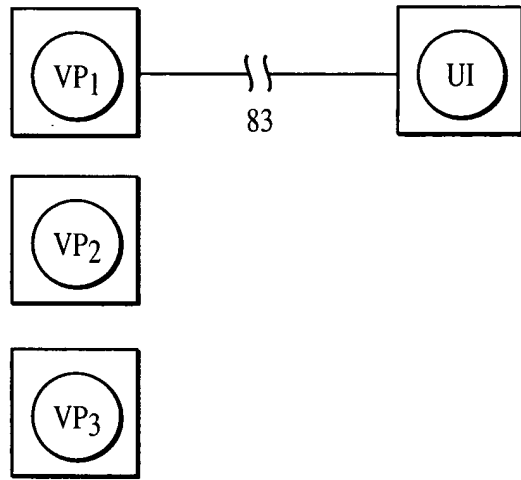


FIG. 8B

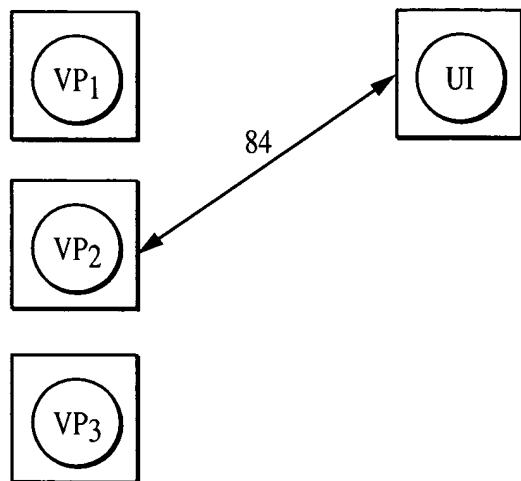
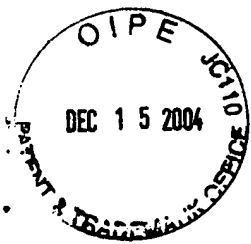


FIG. 8C



```
ACQUIRE IMAGE (...)  
IF (READ BARCODE FAILS)  
  LINK ("FAILURE SYSTEM")  
ELSE  
  .  
  .  
  .  
  <ADDITIONAL VP FUNCTIONS>  
  .  
  .  
  .
```

FIG. 9